



華夏塑膠管

PVC PIPES



台原關係企業

華夏海灣塑膠股份有限公司
China General Plastics Corporation



華夏海灣塑膠公司成立於民國五十三年，工廠位於苗栗頭份市，係生產化學原料及塑膠加工成品一貫作業之工廠，自民國七十七年四月起為強化公司組織、提昇服務品質，成立原料、建材、布/膠粒、皮、加工等五個事業部，主要產品有：聚氯乙烯粉、酸鹼、膠粒、硬質管、門板、膠布、膠皮等塑膠原料與加工品。由於科學化之生產技術與嚴格之品質管制，華夏所有的產品不僅完全符合CNS標準，而且塑膠管、塑膠粉與電線電纜膠粒，更獲得國家優良產品®標記之榮耀。並於民國八十五年七月獲得ISO-9002品質管理系統驗證，暨民國八十七年八月取得ISO-14001環境管理系統驗證。

頭份總廠，擁有最進步之押出設備，生產各種規格之**塑膠硬質管、門板等硬質押出產品**與**防蝕片及防水膜軟質押出產品**以配合市場多樣化之需求。產品經由業務處及建材業務課分銷台灣全省。如蒙惠顧或需本公司提供任何產品資料，請逕洽頭份建材業務課，本公司當竭誠為您提供服務。

CHINA GENERAL PLASTICS CORPORATION (USI Group) is a large diversified chemicals and plastics group, first established in 1964. CGPC plants produce a wide range of chemicals, PVC resin and PVC resin products at Toufen. CGPC was accredited with ISO-9002/14001 certification since 1996/1998, respectively.

The PVC Building Products Division situated at Toufen with a modern extrusion operation, provides a wide range of PVC pipes and profile extrusions for many diversified applications. These products are distributed throughout Taiwan area.

CGPC is committed to the production of high quality products and supports these products with technical experts to assist with customers requirements and inquiries. Additional information regarding our products can be obtained from any of our branch offices or direct from the Toufen office.



目 錄

CONTENTS

一、 華夏塑膠管、管件的耐化學 性及物理性質	1	一、 The chemical resistance and physical properties of CGPC PVC pipe and fittings	1
1.耐化學性質	1	1.Chemical Resistance	1
2.物理性質	2	2.Physical properits	2
3.華夏塑膠管的耐水壓性	3	3.Test pressure specificatons for PVC pipes.....	3
A.一般用管	3	A.General purpose pipe	3
B.自來水用管	3	B.Water reticulation	3
C.活套接頭管	3	C.Rubber ring socket pipe(General Purpose)	3
二、 華夏塑膠管的特點	4	二、 Characteristics of CGPC PVC pipe	4
三、 華夏塑膠管的用途	5	三、 Applications of CGPC PVC pipe	5
四、 華夏塑膠管的規管	6	四、 Specifications of CGPC PVC pipe.....	6
1.一般用管	6	1.General purpose pipe	6
2.電線導管	7	2.Electrical comduit	7
3.自來水用管	7	3.Water reticulation	7
4.活套接頭管	8	4.Rubber ring socket pipe(General Purpose)	8
5.鑿井用管	9	5.Well drilling pipe	9
6.漁筏用管	9	6.Raft pipe	9
五、 PVC管之施工法	10	五、 Installation and Jointing Methods	10
1.一次插緊法	10	1.One-Time joint method(One-step)	10
2.二次緊密插入法	10	2.Two-Time joint method (Two-step).....	10
3.T.S.冷接法	11	3.T.S.cold connection and moulded fitting joints	11
4.斜度環平口接法	11	4.Tapered ring connecting method	11
5.法蘭平口接法	12	5.Installation of moulded flanges	12
6.活套管之施工法	12	6.Installation of rubber ring socket pipe	12
六、 施工中長管路之水壓試驗法	13	六、 Site pressure testing of pipe joints.....	13
1.長管路之水壓試驗圖解	13	1.Diagram of water pressure test	13
2.長管路之水壓試驗	13	2.Water pressure test (long installation).....	13
3.爆破水壓試驗	13	3.Water pressure test (till pipe bursts)	13
七、 華夏塑膠管施工應注意事項	14	七、 Care to be taken in installation of rubber ring socket pipe	14

一、華夏塑膠管、管件的耐化學性及物理性質

The Chemical Resistance and Physical Properties of CGPC PVC Pipe and Fittings

1.耐化學性質

Chemical Resistance

藥品 Reagents	20°C	40°C	60°C	藥品 Reagents	20°C	40°C	60°C	備註 Remark
鹽酸(32%) Hydrochloric Acid 32%	◎	◎	◎	苛性鈉 Sodium Hydroxide	◎	◎	◎	◎完全不起作用，可使用。 △略起作用，注意使用。 ×不可使用。 ◎ Completely unaffected. △ Slightly affected, but may be used with care. × Do not use.
硫酸(70%) Sulfuric Acid 70%	◎	◎	◎	苛性鉀 Potassium Hydroxide	◎	◎	◎	
硫酸(90%) Sulfuric Acid 90%	◎	△	△	氨水 Ammonia Solution	◎	◎	◎	
硫酸(100%) Sulfuric Acid 100%	△	×	×	石灰乳 Calcium Hydroxide	◎	◎	◎	
硝酸(70%) Nitric Acid 70%	◎	◎	△	丙酮 Acetone	×	×	×	
硝酸(90%) Nitric Acid 90%	△	×	×	酒精 Alcohol	◎	◎	△	
醋酸(80%以下) Acetic Acid(below 80%)	◎	◎	△	四氯化碳 Carbon Tetrachloride	◎	×	×	
醋酸(90%以下) Acetic Acid(over 90%)	◎	×	×	福馬林 Formalin	◎	◎	△	
草酸 Oxalic Acid	◎	◎	◎	汽油 Gasoline	△	△	△	
氯氣(乾性) Chlorine Gas(Dry)	△	×	×	天然瓦斯 Natural Gas	◎	◎	◎	
氯氣(濕性) Chlorine Gas(Wet)	×	×	×	煤氣 Coal Gas	×	×	×	

2.物理性質 Physical Properties

2.1 塑膠管 PVC Pipe

試驗項目 Test Item		試驗值 Test Value	備註 Remark
抗拉降伏強度試驗 (23 °C) Tensile Strength Test		459 kgf/cm ² 以上	CNS 1298 K3004 (106.02.18 修訂)
耐壓扁試驗 Compression Test		無破裂或龜裂現象 Not-broken	CNS 4053-1 K3033-1 (106.02.18 修訂)
浸漬試驗 Immersion Test	蒸餾水 Distilled Water	± 0.2 mg/cm ²	CNS 1298 K3004 (106.02.18 修訂)
	10% 氯化鈉溶液 10% Sodium Chloride Solution	± 0.2 mg/cm ²	
	30% 硫酸溶液 30% Sulfuric Acid Solution	± 0.2 mg/cm ²	
	40% 氫氧化鈉溶液 40% Sodium Hydroxide Solution	± 0.2 mg/cm ²	
	40% 硝酸溶液 40% Nitric Acid Solution	± 0.2 mg/cm ²	
溶出性	鉛及其化合物	以鉛計 0.005 mg/L 以下	CNS 4053-1 K3033-1 (106.02.18 修訂)
	鋅及其化合物	以鋅計 0.5 mg/L 以下	
	總有機碳 (TOC)	1.0 mg/L 以下	
	異味	無不良氣味	
	臭氣	無不良氣味	
	濁度 ^(b)	0.2 NTU 以下	
	色度	0.5 度以下	
	餘氯減量	0.7 mg/L 以下	
管 材 氯 乙 烯 單 體 (VCM) 含 量		0.0015 mg/L 以下	
不 透 明 性		可見光透光率為 0.2 % 以下	
絕 緣 電 阻 試 驗		100 MΩ 以上	
耐 燃 性 試 驗		3個試樣應全部符合。 移開火源後，火焰須在30秒內自然熄滅。	CNS 1302 K3006 (103.02.25 修訂)
耐 熱 性 試 驗		塞規須以本身質量通過管內	

2.2 給水用塑膠管件 PVC Pipe Fittings for Water Supply

試驗項目 Test Item		試驗值 Test Value	備註 Remark
抗拉降伏強度 Tensile Strength Test (23°C)	射出製品 Injection Product	459 kgf/cm ² 以上	CNS 2334 K 3011 (106.02.18 修訂)
	手工製品 Manual Product	500 kgf/cm ² 以上	
耐水壓性試驗 Water Pressure Test		無漏水、破裂及變形現象	
溶出性	鉛及其化合物	以鉛計 0.005 mg/L 以下	
	鋅及其化合物	以鋅計 0.5 mg/L 以下	
	總有機碳 (TOC)	1.0 mg/L 以下	
	異味	無不良氣味	
	臭氣	無不良氣味	
	濁度 ^(c)	0.2 NTU 以下	
	色度	0.5 度以下	
	餘氯減量	0.7 mg/L 以下	
氯乙 烯 單 體 (VCM)		0.0015 mg/L 以下	

3. 華夏塑膠管的耐水壓性

The Water Pressure Test on CGPC PVC Pipe

A. 一般用管耐水壓性：(CNS 1298 K3004)

Water Pressure Test on PVC Pipe

種類 Categories	VP(B)管(厚管) Type B (Thick Wall)	VU(A)管(薄管) Type A (Thin Wall)
標稱管徑(mm) Nominal Pipe Size	13 ~ 400	40 ~ 400
試驗水壓(kgf/cm ²) Test Pressure	25.5	15.3
20°C時許可操作壓力(kgf/cm ²) Allowable operation Pressure at 20°C	7.65	2.56

B. 自來水用管耐水壓性：(CNS 4053-1 K3033-1)

Water Pressure Test on PVC Pipe for Water Supply

種類 Categories	自來水用管 Potable Water
標稱管徑(mm) Nominal Pipe Size	13 ~ 400
試驗水壓(kgf/cm ²) Test Pressure	40.8
20°C時許可操作壓力(kgf/cm ²) Allowable operation Pressure at 20°C	7.65

C. 活套接頭管耐水壓性：

Water Pressure Test for Rubber Ring Socket Type (General Purpose)

用途別 Application	標稱管徑(mm) Nominal Pipe Size
	40 ~ 400
給水用(kgf/cm ²) For Potable Water	35.7
一般用(kgf/cm ²) For General Purpose	35.7

二、華夏塑膠管的特點

The Characteristics of CGPC PVC Pipe

1.質輕，搬運裝卸便利：

PVC管材質很輕，搬運、裝卸、施工便利，可節省人工。

1.Light weight,easy to load and unload:

PVC pipe is very light, convenient for handling loading,unloading and installation.

2.耐化學藥品性優良：

PVC管具有優異的耐酸、耐鹼、耐腐蝕性，對於化學工業之用途甚為適合。

2.Good chemical resistance:

PVC pipe has excellent resistance to the corrosion caused by acid and alkaline materials, a great help to the chemical industry.

3.流體阻力小：

PVC管之壁面光滑，對流體之阻力小，其粗糙係數僅0.009較其他管材為低，在相同之流量下，管徑可予縮小。

3.Low flow resistance:

The smooth surface of PVC pipe reduces resistance to flow. Its roughness coefficient is only 0.009, much less than other pipes. Under the same discharge conditions, smaller pipes can be used.

4.機械強度大：

PVC管之耐水壓強度、耐外壓強度、耐衝擊強度等均甚良好，適用於各種條件之配管工程。

4.Strong mechanical strength:

Excellent resistance to water pressure and external impact.

5.電氣絕緣性佳：

PVC管富有優越的電氣絕緣性，適用於電線、電纜之導管，與建築上之電線配管。

5.Good electrical insulation:

PVC pipe has excellent electrical insulation properties. It can be used as conduit pipe for cable and wires in the construction industry.

6.不影響水質：

PVC管由於溶解試驗證實不影響水質，為目前自來水配管之最佳管材。

6.Water quality unaffected:

The extraction tests on the PVC pipe show no effect on water quality when water flows through it. It is considered as the best piping material for water supply.

7.施工簡易：

PVC管之接合施工迅速容易，故施工工程費用低廉。

7.Simple installation:

Very easy to connect, thus saving time and labor costs.



三、華夏塑膠管的用途

Applications of CGPC PVC Pipe

- | | |
|------------|--------------------------------------|
| (1) 自來水工程 | (1) Water supply engineering |
| (2) 電氣工程 | (2) Electrical engineering |
| (3) 建築工程 | (3) Construction engineering |
| (4) 下水道工程 | (4) Ground water engineering |
| (5) 鑿井工程 | (5) Well drilling engineering |
| (6) 鹽水工程 | (6) Salt water engineering |
| (7) 化學工廠 | (7) Chemical factories |
| (8) 製紙工廠 | (8) Paper mills |
| (9) 釀造發酵工廠 | (9) Acidifying & Fermenting plants |
| (10) 電鍍工廠 | (10) Electroplating factories |
| (11) 農業園地 | (11) Agricultural ground drainage |
| (12) 礦場 | (12) Mining plants |
| (13) 漁業 | (13) Fisheries |



四、華夏塑膠管的規格

Specifications of CGPC PVC Pipes

1.一般用管 General Purpose Pipe(CNS 1298 K3004) VU(A)管 TYPE A(Thin Wall)

單位 Unit:mm

標稱管徑 Nominal Pipe Size		平均外徑 Outside Diameter	外徑許可差 Outside Diameter Tolerance	厚度 Wall Thickness		大約內徑 Approx. Inside Diameter	參考質量 Approx. Weight kg/m	長度 Length m	20°C許可 操作壓力 Allow working Pressure at 20°C(Kgf/cm ²)
mm	inch			最小 Minimum	許可差 Tolerance				
40	1 1/2	48	±0.2	1.8	+0.4	44	0.413	4	2.56
50	2	60	±0.2	1.8	+0.4	56	0.521	4	
65	2 1/2	76	±0.3	2.2	+0.6	70	0.825	4	
80	3	89	±0.3	2.7	+0.6	83	1.159	4	
90	3 1/2	100	±0.4	3.1	+0.6	94	1.476	4	
100	4	114	±0.4	3.1	+0.8	107	1.737	4	
125	5	140	±0.5	4.1	+0.8	131	2.739	5 ~ 6	
150	6	165	±0.5	5.1	+0.8	154	3.941	5 ~ 6	
200	8	216	±0.7	6.5	+1.0	202	6.572	6	
250	10	267	±0.9	7.8	+1.2	250	9.758	6	
300	12	318	±1.0	9.2	+1.4	298	13.701	6	
350	14	370	±1.2	10.5	+1.4	348	18.051	6	
400	16	420	±1.3	11.8	+1.6	395	23.059	6	

註：長度可依當事人間協議

VP(B)管 TYPE B(Thick Wall)

單位 Unit:mm

標稱管徑 Nominal Pipe Size		平均外徑 Outside Diameter	外徑許可差 Outside Diameter Tolerance	厚度 Wall Thickness		大約內徑 Approx. Inside Diameter	參考質量 Approx. Weight kg/m	長度 Length m	20°C許可 操作壓力 Allow working Pressure at 20°C(Kgf/cm ²)
mm	inch			最小 Minimum	許可差 Tolerance				
13	3/8	18	±0.2	2.2	+0.6	13	0.174	4	7.65
16	1/2	22	±0.2	2.7	+0.6	16	0.256	4	
20	3/4	26	±0.2	2.7	+0.6	20	0.310	4	
25	1	32	±0.2	3.1	+0.8	25	0.448	4	
30	1 1/4	38	±0.3	3.1	+0.8	31	0.542	4	
40	1 1/2	48	±0.3	3.6	+0.8	40	0.791	4	
50	2	60	±0.4	4.1	+0.8	51	1.122	4	
65	2 1/2	76	±0.5	4.1	+0.8	67	1.445	4	
80	3	89	±0.5	5.5	+0.8	77	2.202	4	
100	4	114	±0.6	6.6	+1.0	100	3.409	4 ~ 5	
125	5	140	±0.8	7.0	+1.0	125	4.464	5	
150	6	165	±1.0	8.9	+1.4	146	6.701	5 ~ 6	
200	8	216	±1.3	10.3	+1.4	194	10.129	6	
250	10	267	±1.6	12.7	+1.8	240	15.481	6	
300	12	318	±1.9	15.1	+2.2	286	21.962	5 ~ 6	
350	14	370	±2.2	18.0	+2.6	333	30.407	5 ~ 6	
400	16	420	±2.6	20.5	+3.0	378	39.336	5 ~ 6	

註：(下水道及建築物污水用管為桔紅色)
長度可依當事人間協議

2.電線導管For Electrical Conduit (CNS 1302 K3006)

單位 Unit:mm

標稱管徑 Nominal Pipe Size		平均外徑 Outside Diameter	外徑許可差 Outside Diameter Tolerance	厚度 Wall Thickness		大約內徑 Approx. Inside Diameter	參考質量 Approx. Weight kg/m	長度 Length m	備註 Remark
mm	inch			最小 Minimum	許可差 Tolerance				
13	3/8	18	±0.2	1.8	+0.4	14	0.144	4	
16	1/2	22	±0.2	1.8	+0.4	18	0.180	4	
20	3/4	26	±0.2	1.8	+0.4	22	0.216	4	
28	1	34	±0.3	2.7	+0.6	28	0.420	4	
35	1 1/4	42	±0.3	3.1	+0.8	35	0.608	4	
41	1 1/2	48	±0.4	3.1	+0.8	41	0.702	4	
52	2	60	±0.5	3.6	+0.8	52	1.010	4	
65	2 1/2	76	±0.5	4.1	+0.8	67	1.450	4	
80	3	89	±0.5	5.1	+0.8	78	2.070	4 ~ 6	
100	4	114	±0.6	6.6	+1.0	100	3.420	5 ~ 6	
125	5	140	±0.8	7.0	+1.0	125	4.490	5 ~ 6	
150	6	165	±1.0	8.5	+1.4	148	6.460	6	
200	8	216	±1.3	10.5	+1.4	194	10.340	6 ~ 7	
80	3	89	±0.5	2.7	+0.6	83	1.160	4 ~ 7	ES-1管
100	4	114	±0.6	3.6	+0.8	106	1.980	4 ~ 7	ES-1管
125	5	140	±0.8	4.1	+0.8	131	2.750	5 ~ 7	ES-1管
150	6	165	±1.0	5.1	+0.8	154	3.960	5 ~ 7	ES-1管

註：長度可依當事人間協議

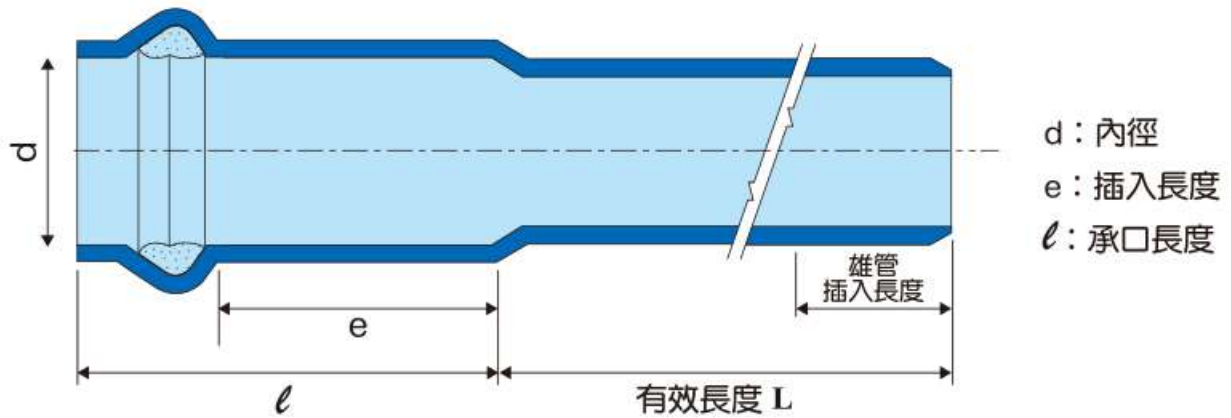
3.自來水用管For Water Reticulation (CNS 4053-1 K3033-1)

單位 Unit:mm

標稱管徑 Nominal Pipe Size		平均外徑 Outside Diameter	外徑許可差 Outside Diameter Tolerance	厚度 Wall Thickness		大約內徑 Approx. Inside Diameter	參考質量 Approx. Weight kg/m	長度 Length m	20°C許可 操作壓力 Allow working Pressure at 20°C (Kg/cm ²)
mm	inch			最小 Minimum	許可差 Tolerance				
13	3/8	18	±0.2	2.3	+0.4	13	0.174	4	7.65
16	1/2	22	±0.2	2.7	+0.6	16	0.256	4	
20	3/4	26	±0.2	2.7	+0.6	20	0.310	4	
25	1	32	±0.2	3.2	+0.6	25	0.448	4	
30	1 1/4	38	±0.3	3.2	+0.6	31	0.542	4	
40	1 1/2	48	±0.3	3.7	+0.6	40	0.791	4	
50	2	60	±0.4	4.1	+0.8	51	1.122	4	
65	2 1/2	76	±0.5	4.1	+0.8	67	1.445	4	
80	3	89	±0.5	5.5	+0.8	78	2.202	4	
100	4	114	±0.6	6.6	+0.8	100	3.409	4 ~ 5	
125	5	140	±0.8	7.0	+1.0	124	4.464	5	
150	6	165	±1.0	9.0	+1.2	146	6.701	5 ~ 6	
200	8	216	±1.3	10.8	+1.4	194	10.559	6	
250	10	267	±1.6	13.3	+1.8	239	16.119	6	
300	12	318	±1.9	15.9	+2.2	285	22.976	6	
350	14	370	±2.2	18.0	+2.6	332	30.407	6	
400	16	420	±2.6	20.5	+3.0	376	39.336	6	

註：長度可依當事人間協議

4.活套接頭管 (CNS 1298 4053-1)
Rubber Ring Socket Type



單位 Unit:mm

標稱管徑 Nominal Pipe Size		平均內徑 d (最小值)	有效插入長度 e (最小值)	管承口長度 l (最小值)	備註 Remark
mm	inch				
40	1 1/2	48.3	57	110	W,B管
50	2	60.3	58	115	W,B管
65	2 1/2	76.4	60	125	W,B管
80	3	89.5	61	130	W,B管
100	4	114.5	64	145	W,B管
150	6	165.7	70	165	W,B管
200	8	216.9	76	190	W,B管
250	10	268.1	82	210	W,B管
300	12	319.3	88	235	W,B管
350	14	371.5	89	245	W,B管
400	16	421.7	91	265	W,B管

6. 鑿井用管 For Well Drilling Engineering

單位 Unit:mm

標稱管徑 Nominal Pipe Size		平均外徑 Outside Diameter	外徑許可差 Outside Diameter Tolerance	厚度 Wall Thickness		大約內徑 Approx. Inside Diameter	參考質量 Approx. Weight g/m	長度 Length m
mm	inch			最小 Minimum	許可差 Tolerance			
150	6	165	± 1.0	8.9	+1.4	146	6,701	5 ~ 6
200	8	216	± 1.3	10.3	+1.4	194	10,129	5 ~ 6
250	10	267	± 1.6	12.7	+1.8	240	15,481	5 ~ 6
300	12	318	± 1.9	15.1	+2.2	286	21,962	5 ~ 6
350	14	370	± 2.2	18.0	+2.6	333	30,407	5 ~ 6
400	16	420	± 2.6	20.5	+3.0	378	39,336	5 ~ 6

7. 漁筏用管 For Raft Use (適用於沿海及淡水之漁撈，養殖作業)(CNS12698)

單位 Unit:mm

標稱管徑 Nominal Pipe Size		平均外徑 Outside Diameter	外徑許可差 Outside Diameter Tolerance	厚度 Wall Thickness		近似內徑 Approx. Inside Diameter	參考質量 Approx. Weight g/m	長度 Length m
mm	inch			最小 Minimum	許可差 Tolerance			
125	5	140	± 0.8	3.3	+0.5	133	2,150	20米以內
150	6	165	± 1.0	3.7	+0.7	157	2,900	20米以內
200	8	216	± 1.3	4.6	+0.8	206	4,760	20米以內
250	10	267	± 1.6	6.6	+1.0	253	8,210	20米以內
300	12	318	± 1.9	8.0	+1.2	301	11,860	20米以內
350	14	370	± 2.2	9.3	+1.5	350	16,230	20米以內
400	16	420	± 2.6	11.2	+1.8	396	22,080	20米以內



五、PVC管之施工法

Installation and Joint Methods

1. 一次插入法

用於小口徑管之相接，其施工步驟如下：

- (1) 將兩管管端，先用銼刀或尖尾小刀依30°方向削角（雌管削內角，雄管削外角）使管端尖厚剩約1m/m（管厚4m/m以上者剩約1/4 t）參照圖1。
- (2) 雌管管端加熱（120 °C ~ 130 °C）使軟化（用噴燈或炭火直接加熱或以熱油、熱砂間接加熱均可）。
- (3) 雄管管端外部均勻塗敷硬質膠合劑，然後插入雌管中，插入深度；小口徑者以管徑之1.2~1.5倍，4"管以上以0.8~1倍為度。
- (4) 兩管矯正成直線後，用濕布或冷水冷卻，並擦掉溢流於管外之膠合劑。

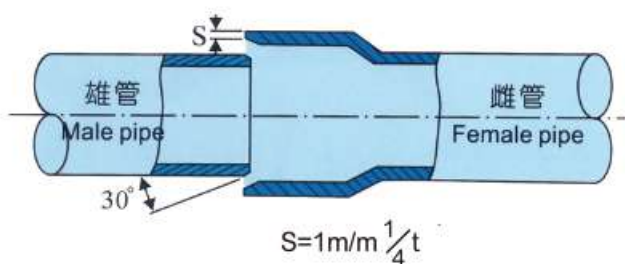


圖1 Fig1

2. 二次緊密插入法

適用於中口徑管之相接，其施工步驟如下：

- (1) 將兩管管端依30°方向削角，雄管削外角，雌管削內角，方法與一次插入法相同，但大口徑之削角，可先以噴燈加熱至半軟化後，用小刀切削，再用銼刀略作修整，可使施工速度加快。
- (2) 雌管端加熱（120 °C ~ 130 °C）使軟化。
- (3) 雄管末端塗敷膠合劑前，先在管端塗以牛油等潤滑劑，插入已軟化之雌管，矯正成直線後用濕布或冷水冷卻使之定型。
- (4) 在連接處與管軸平行作記號，並在兩管端寫上號碼，以免配管時發生混亂，參照圖2。
- (5) 把雄管拔出然後將兩端之潤滑劑擦拭乾淨，相接時雌雄兩端皆塗上膠合劑，順直線記號，插入定位即成。

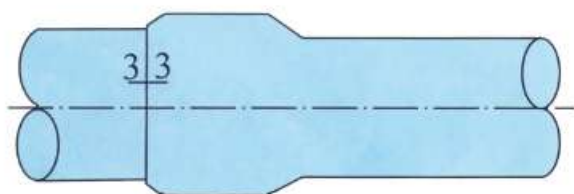
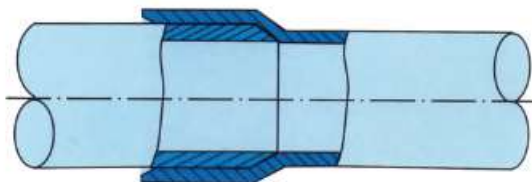


圖2 Fig2

1. "One-Step" Joint Method

- Trim ends of pipes with knife or file to give a 30° outside angle to the male end and a 30° inside angle to the female end, until edge thickness comes to about 1m/m (or 1/4 of the wall thickness if the wall is over 4m/m thick), Ref. Fig. 1. Make sure trimmed ends are clean and smooth.
- Heat female end to 120 °C - 130 °C to soften (heating carefully with blow torch or over charcoal fire or insert end in hot oil or hot sand). Indirect heating in oil is best to give even heating.
- Wipe the prepared pipe ends carefully to remove any residual oil or dirt. Smear adhesive on male end and immediately insert into heated female end. The male pipe should be inserted to a depth of 1.2 to 1.5 times the diameter of the pipe for pipes up to 4 inches dia. Over 4 inches diameter the insertion depth should be 0.8 to 1.0 times diameter.
- After connection and alignment clean excess adhesive off joint, and cool with water or wet cloth.



2. "Two-Step" Joint Method

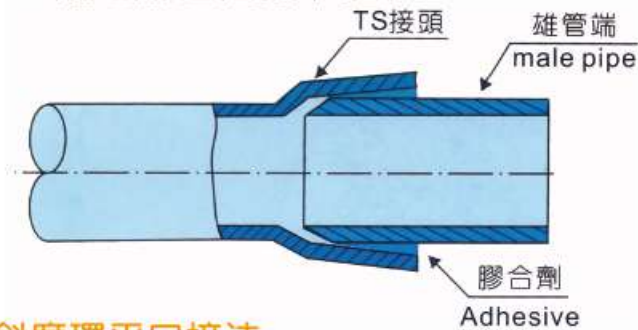
This method is suitable for all sizes of PVC pipe and is recommended for pipes in excess of 4" diameter.

- Trim edges of pipe ends as in previous "One-Step" joint method. With larger pipes, heating the ends can make cutting easier. The ends should be finished with a file and all trimmings and dirt cleaned from ends.
- Heat the female end as previously to 120 °C - 130 °C. The temperature is correct when you can easily squeeze the end flat with gloved fingers.
- Coat the male pipe end with oil and insert into heated female pipe end, adjust alignment and cool with water or wet cloth. Ensure pipe end is cool before with drawing male pipe.
- Mark jointed pipe with a line and number as in illustration to ensure correct jointing later.
- Pull out male pipe and wipe both male & female joint to remove all the lubricant. Use solvent if necessary. Smear adhesive over male end and inside female socket, joint and align marks, remove excess adhesive.

3.TS冷接法

本法係採用於工廠已事先加工成TS接頭之PVC管，施工簡便迅速，尤其嚴禁煙火地區之配管施工最為適宜，並可在極短時間內通水使用(中大口徑尤為適用)，其施工步驟如下：

- (1) 雄管削外角，以銼刀(粗目)削角為最常見之方法，但在大口徑之情況，因銼削速度較慢，工作效率低落，故最理想之方法，即先以噴燈將管端作局部之加熱，使之呈半軟狀態，再以小刀沿圓周切削，至全圓周切削完妥為止。斜面稍有不平之處，即再以銼刀修整。
另一方式係利用鋸狀輪刀切削，但此方式乃廠內專門作業所採用者，工地之作業較少應用，切削之角度須沿 30° 角，所遺留之尖端厚度約為 $1/4t$ (如圖3所示)。
- (2) 接頭內部，管端外部用苯精(Benzene)或乾布擦拭乾淨，然後雌雄管內外側各塗上適量之膠合劑，待部份之溶劑揮發而膠著性增強時，即一口氣用力插入，一面將管子旋轉，使膠合劑之分佈更為均勻(大口徑不必旋轉)。
- (3) 插入後應維持約30秒方可移動。
- (4) 如發現套接過於鬆弛時，可先塗敷一次膠合劑，待略乾固，塗第二次後套接之。
- (5) 管線完成TS冷接法施工後，膠合強固期間不能移動，待膠合劑完全乾涸後即可通水。



3.TS Cold Connection and Moulded Fitting Joints

This method is used for pre-socketed pipes or where injection moulded fittings are used.

A. Pipe to Pipe

Trim male pipe end as in previous methods using knife and file. Ensure that finished end is smooth and clean.

Wipe both male and female joints with solvent and then smear both mating surfaces with adhesive.

Insert male end into female socket end and wipe off excess adhesive.

B. Pipe to Moulded Fittings

Repeat the preparation of the pipe as in A. Wipe both the fitting socket & pipe end with solvent. Apply adhesive to mating surfaces and press together. Remove excess adhesive from inside and outside joints.

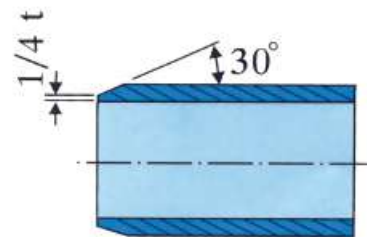
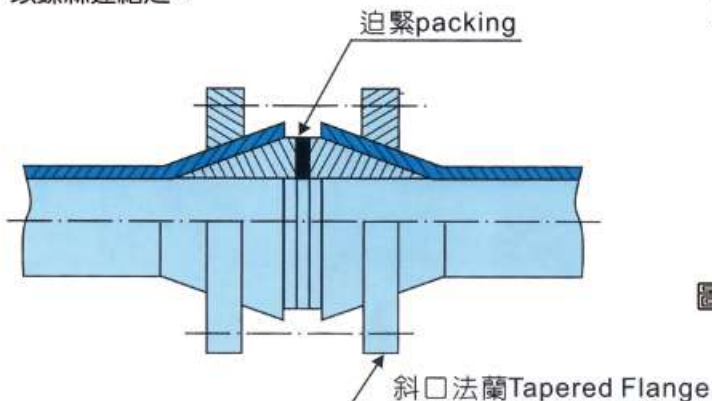


圖3 Fig3

4.斜度環平口接法

PVC管需要使用平口時可如圖4所示，使用金屬斜口法蘭(Tapered Flange)與斜度環做成平口，以迫緊(Packing)及螺栓連結。其施工法如下：

- (1) 將管端內壁及斜度環之斜面用苯精(Benzene)擦拭清潔。
- (2) 管端加熱使之軟化，一面在斜度環之斜面塗以膠合劑。
- (3) 先將斜口法蘭(Tapered Flange)套入後再將斜度環套入以軟化之管端，此時應注意使斜度環略突出管口外，而斜度環之平面與管軸垂直，然後用水冷卻定型。
- (4) PVC平口與PVC平口相接，或PVC平口與凡而(Valve)相接，平口接合凡而均須墊以迫緊(Packing)以螺絲連結之。



4.Tapered Ring Connecting Method

This jointing method employs drilled flanges with a tapered hole and matching tapered plugs. Care must be taken to ensure that the tapered plugs are square to the pipe.

A. Heat pipe ends one at a time to required temperature (see previous methods). Make sure that inside of heated end is clean and free of oil or dirt with benzene.

B. Slip flange over end of pipe ensuring taper is facing right direction. Smear adhesive on outside of tapered plug and insert into heated pipe end as in illustration ensuring that plug is square to pipe.

C. Repeat with the other pipe end.

D. Place O ring or gasket between plugged ends and tighten bolts on flanges taking care not to over tighten or distort joint. Connect PVC solvent bellings together or PVC solvent bellings and valve together.

圖4 Fig4

5.法蘭平口接法

- (1)PVC管外緣沿30°角削角，100m/m(4")以下，可用銼刀銼削。125m/m(5")以上可先以噴燈略予加熱半軟後以小刀切削，再以銼刀整修。
- (2)PVC管插入部份之外緣及法蘭接頭承口內壁，擦拭乾淨後，分別塗佈硬質膠合劑後用力套入，125m/m(5")以上之規格，套入後可墊以厚木板或木槌槌擊之，加強密著效果。
- (3)溢出之膠合劑，用布加以拭淨。
- (4)法蘭接頭與PVC管接合後，其法蘭部再與凡而之法蘭螺孔對準中間墊以迫緊(Packing)，以螺絲連墊圈接合之。螺絲之上緊，應對角相互進行，以達均勻密接之效果。

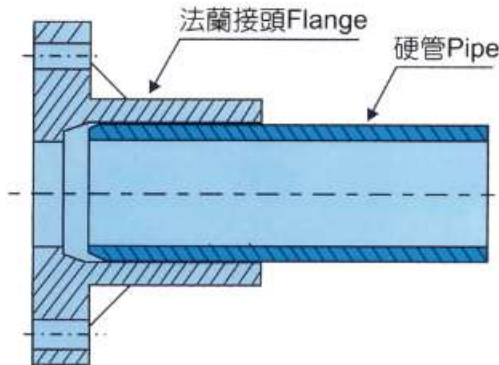
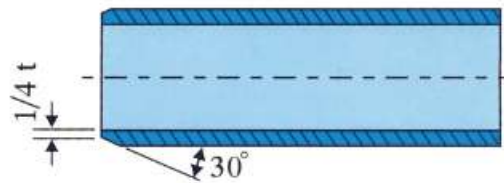


圖5 Fig5

5. Installation of Moulded Flanges

A flange joining can be made using injection moulded flanges and metal backing rings. A resilient O ring or gasket is placed between the faces of the flanges.

- The pipe ends are trimmed as previously described and the moulded joint and the ends wiped with a cleaning solvent. Backing Plates are then slipped over pipe.
- Both the male pipe end and the inside of the flange the socket are smeared with adhesive and the pipe forced into the socket. Remove excess adhesive from both flange surface and joint.
Do not rest flanged pipe end on ground. Place a block of wood underneath pipe end until adhesive is set.
- To connect, bolt through backing plates and insert gasket. Tighten carefully keeping joint as square as possible and ensure joint is not under stress from unsupported pipes.



6. Installation of Sochet Type Pipes (rubber ring)

6.活套管之施工法

1. 雄管端削外角，外角係沿 20° 角度削角，其預留之尖端厚度約 1/4t-1/3t。(每支管支削角，出廠前已削妥，如再切斷，須在工地自行削角 20° 外角)。
2. 自活套頭內取出套環 (橡膠 Ring) 擦拭乾淨，另活套溝槽內亦予擦拭乾淨。然後活套 Ring 再予套回 (注意活套 Ring 方向不可裝反)。
3. 雄管端上標註插入長度記號 (一般出廠前已標示完成)。
4. 套環內面與雄管管端插入部分塗敷潤滑劑 (通常使用肥皂水)，特別注意，不可在活套溝槽潤滑，易導致活套溝槽佈滿潤滑液，失去摩擦力，當雌雄管套接時，活套 Ring 移位而造成漏水，如圖示。
5. 雌雄管套接 (小口徑用人力插接，中口徑管端墊上厚木板或木角材，以木槌槌入，大口徑須用拉緊器插接)，套接後所留之隙，標稱管徑 50 以下約 10mm，65-100 約 15mm，125-150 約 20mm，200 以上為 25mm。

1. Cut the exterior angle of a male pipe by 20 degree and leave 1/4t-1/3t thickness at its tip. (Each pipe has the angle of chamfer before it goes to the market. If cutting is still needed one has to pare the pipe by 20 degree at the construction site.)
2. Take out the ring (rubber ring) from the pipe and clean it. Clean the inside of the pipe and mount the ring back (Notice: Ring shall be installed correctly)
3. Mark the insertion length at the end of the male pipe (This step usually is done by manufacturer)
4. Lubricate the inner ring and the insertion section of the male pipe. Notice: No lubricant on the ring trough; otherwise it may cause loss of friction of the ring trough when the trough gets lubricated. Also when male and female pipes combine, the rubber ring may be displaced and causes leaking. See figure 6.
5. Combination of male and female pipes (In inserting the two hands are for small sizes, a wooden mallet for middle sizes after the pipes are on a plank or a wooden block and a puller for large sizes.) The gap after the insertion : about 10mm for smaller than 50; 15mm for 65-100~20mm for 125-150; 25mm for larger than 200.

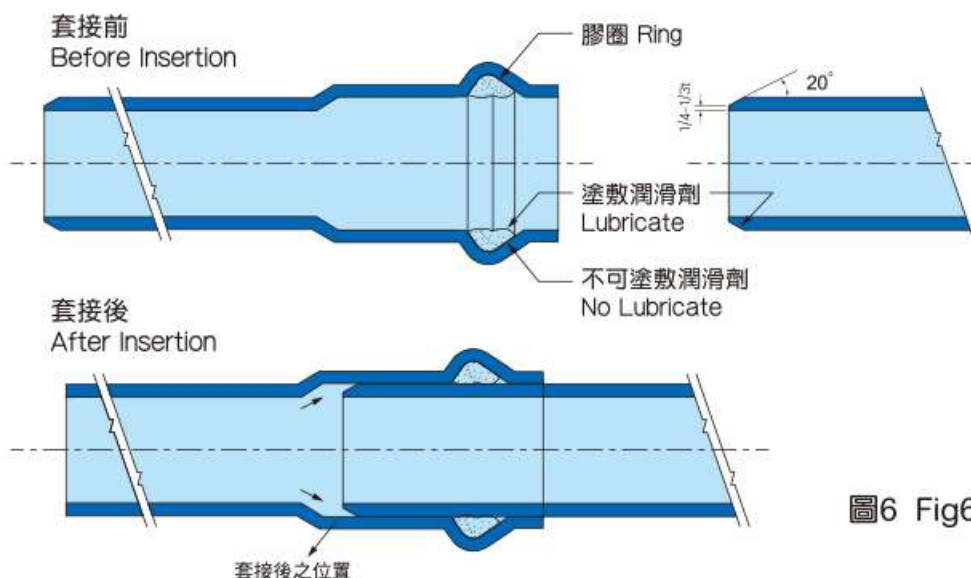
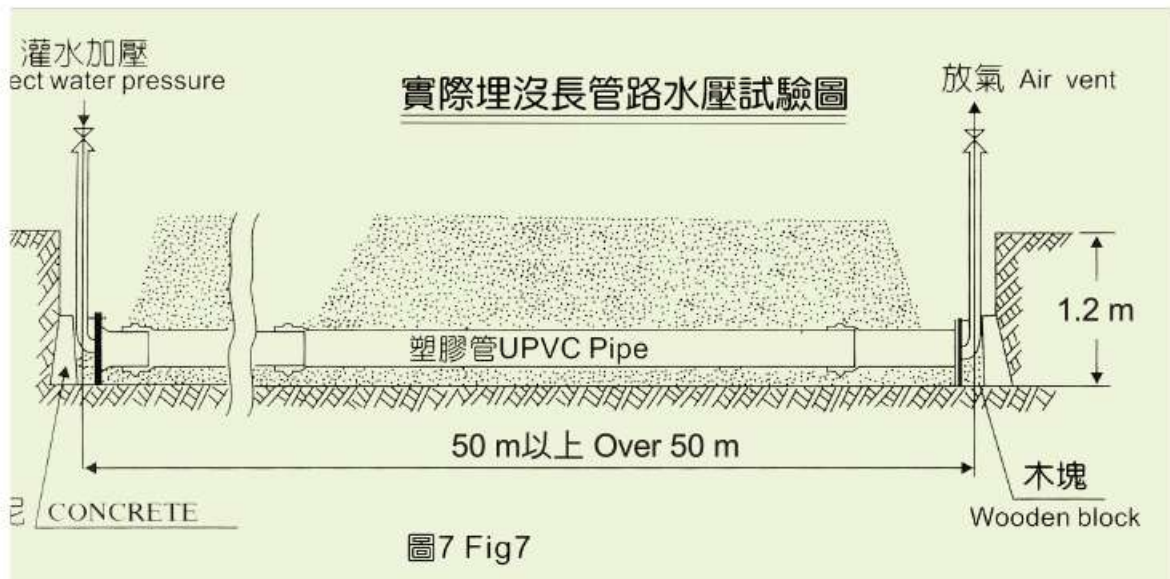


圖6 Fig6

六、施工中長管路之水壓試驗法

Site Pressure Testing of Pipe Joints

1.長管路之水壓試驗圖解 Diagram of Water Pressure Test on Backfilled Pipe



2.長管路之水壓試驗(實際埋沒)

- (1)埋設之管子長度約50 m以上或7 m(有效長度)×7支以上。
- (2)埋沒深度1.2 m，管溝寬度0.7 m～0.8 m。
- (3)蓋土(接頭部份不必蓋，供檢視用)。
- (4)管路兩端管子接好後，須打混凝土，以擋住試水壓所產生之壓力。
- (5)灌水後再行試水壓(18 kg/cm²~19 kg/cm²)。
- (6)管路兩端裝配排氣管(排除空氣)。

2. Water Pressure Test on Backfilled Pipe (long installations)

- A. Length of buried pipe is about 50 metres or 7 metres (effective length) ×7 pieces and above.
- B. Depth of buried pipe is 1.2 metres. Width of trench is 0.7 metres -0.8 metres.
- C. Backfill Keep joining section uncovered for inspection.
- D. Concrete blocks should be placed at both ends of the Pipe after the installation of vent tubes, to resist the horizontal pressure occurring during the test.
- E. Fill pipes with water, before testing at 18 kg/cm²- 19 kg/cm².
- F. Both ends of pipe should be equipped with an exhaust tube for expelling air.

3.爆破水壓試驗

- (1)管體長度約1 m。
- (2)活套接頭與雄管接受後總長度約 1 m。
- (3)以Test Pump試驗至破裂為止。

3. Water Pressure Test (till pipe bursts)

- A. Length of sample pipe is about 1 metre.
- B. Socket end and male pipe end after connection length is about 1 metre.
- C. Increase pressure till the pipe bursts.

七、華夏塑膠管施工應注意事項

(Care to be taken in installation of rubber-ring socket pipe)

1. 堆存、搬運注意事項：

- (1) 堆存場所之地面應求平整、平直整齊堆置，不受強烈日光曝曬，不受重壓。
- (2) 搬運赴工地所需貨車車體須裝加長輔助裝置，配合大小口徑管之需，勿讓管端與地面或外物碰擊，並應網紮結實，以防管端損傷。
- (3) 起卸時亦應避免碰撞，以防表面為尖銳物所割傷。

1. Storage & Transportation

- A. Pipes should be stored on smooth flat surfaces and closely packed. Direct sunlight should be avoided.
- B. When transporting pipe ensure that ends are protected and do not drag on ground. Tie firmly.
- C. Unload carefully to avoid damage to pipe and pipe ends.

2. 鋪設施工注意事項：

1. 大樓建築物樓板打混凝土之前，自來水管線須依「建築技術規則」建築設備編第二章 - 給水排水系統及衛生設備第 28 條之規定做水壓試驗。試驗壓力不得低於 10 kg/cm^2 或最高使用壓力之 1.5 倍，並應保持 1 小時如無漏水始可打混凝土，上述之水壓試驗，一般均每層分別進行。
2. 活套管試水壓時，管線須予蓋土，如環境許可時，可僅留活套頭部分不蓋土，試水前須蓋土的目的，主要為防止活套頭試水壓時之脫開，如在市區因交通流量大，一般可全部蓋土後試水壓。
3. 水壓試漏，應安排分段施行，不可一次試壓，試壓合格，始可全部覆土。
4. 管線埋設須先填砂，厚度最小 10 cm，管子配管後，再填砂 10 cm - 30 cm，使管子不致與石頭直接接觸。
5. 大樓樓板的電氣配管以直線配管為原則，如需要彎曲時，一個彎曲角應在 90° 以內，且一區間（兩接線盒間）的管線彎曲角度，合計不得超過 270° ，且其配線長度，不得超過 30 m。
6. 電氣用管與接線盒，裝配後於打混凝土時應防止受到破壞或損傷，如有破損應即修復，以免混凝土之阻塞影響往後拉線工作。
7. 樓板內的埋設配管，一個交叉點的管子，應為 2 支以下，不得為同一位置有 3 支管子交叉。
8. 樓板打混凝土作業中，水電工人員應常駐於工地，以便處理配管上之突發事件。
9. 硬管如需再加熱加工時，其露出堆放應予覆蓋。

2. Installation of Rubber Ring Socket Pipe

1. Before concreting the floor, run water pressure test on the tap water pipe line according to Article 28, Chapter II, "Construction Technical Rules" with testing water pressure retained for one (1) hour at not lower than 10 kg/cm^2 , nor higher than 1.5 times of the working pressure. Start concreting only when no leakage is observed. Usually, this test is separately run by floor.
2. Earth coverage over the pipe line is required on testing the water pressure of spigot pipe, which however may be left bare only the connecting parts if working environment permits. The purpose of earth coverage before the test is mainly to prevent the spigot from escaping during the test to be run in where heavy traffic flow occurs such as in the downtown area.
3. Be sure to do water pressure test step by step. Don't try to finish it at one time.
4. Sand filling with layer thickness not less than 10 cm is required before the embedment of pipe line. Do not cause the pipe to contact directly with any stone.
5. Linear allocation governs the pipe for electric conduit on the building floor. If bending is required the bend angle shall not be larger than 90° and not larger than 270° in total in one area (i.e. between two wiring cases). The wiring length shall not be larger than 30 m.
6. Prevent the assembled pipe for electric conduit use and wiring cases from being destructed or damaged by concreting. Repair any damage immediately to avoid affecting the subsequent wire pulling by clog of concrete.
7. Number of pipe at intersection embedded in the floor shall not be larger than two as illustrated below. Three or more pipes at the same intersection is not allowed.
8. Civil utilities technician shall be always available on site during the operation of concreting in case of any incident to the piping work.
9. If the PVC pipes were requested to process by heating please stored with covers and avoid to be sunned.

苗栗縣政府營利事業登記證

苗商登字第 053557096 號

據 吳亦主

申請營利事業 變更登記

本府已予登記特發給登記證並摘錄事項如左：

- 一、營利事業名稱：華夏海灣塑膠股份有限公司頭份廠
- 二、資本額：實收新台幣伍拾陸萬元整
實收新台幣肆拾貳肆仟捌佰零壹萬伍仟貳佰捌拾元整
- 三、負責人：吳亦主
- 四、組織：股份有限公司
- 五、營業所在地：苗栗縣頭份鎮田寮里一七鄰民族路五七一號
- 六、核准設立登記日期：中華民國五十三年九月十六日
- 七、營業項目：

一、塑膠及其所需原料之製造二、塑膠加工品之製造三、塑膠加工品所需化學品之製造四、印花及壓花滾筒之製造五、化工機器設備(含氣乙炔單體製備設備)之技術服務(含設計安裝)製造及銷售六、以上各項產品之運銷與委託加工業務七、有關以上各項業務之研究推廣服務等事項八、石油化工原料批發業九、石油化工原料零售業
(以下空白)

營業證
(不得經營營業項目以外之業務)
上開業務之經營應遵照有關法令規定辦理

縣長 傅學鵬

中華民國 五十年 七月 二十八日



統一編號：50205008

編號：九九-六三一八〇-〇〇

經濟部工廠登記證

廠名：·華夏海灣塑膠股份有限公司頭份廠

廠址：·苗栗縣頭份鎮田寮里十七鄰民族路
五七一號

產業類別：·塑膠製品製造業

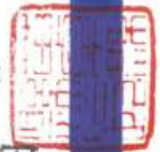
〈以下空白〉



部長 林信義



本工廠登記證由苗栗縣政府代發



中華民國

九十年七月三十一日



臺北市政府營利事業登記證

北市商一字第00010912-2號

營利事業統一編號：11686106

變更登記

發人文號：0910039097

檢吳亦主君

本府已予登記特發給登記證並摘錄事項如下：

一、營利事業名稱：華夏海運塑膠股份有限公司

二、資本額：壹拾陸萬伍仟捌佰零參萬伍仟貳佰捌拾元整

三、負責人：吳亦主

四、地址：臺北市內湖區基湖路37號1、2樓(所在地營業辦公)

五、核准設立登記日期：中華民國53年9月23日

六、營業項目：(見增設行辦公室使用，不將專為貯藏、裝貯或作為製造、加工、社發、零售場所使用)且應將不得貯存廢棄物

七、營業項目：(見增設行辦公室使用，不將專為貯藏、裝貯或作為製造、加工、社發、零售場所使用)且應將不得貯存廢棄物

一、塑膠及其所需原料之製造

二、塑膠加工品之製造

三、塑膠加工品所屬化學品之製造

四、印花及膠花紙張之製造

中華民國

26日

頁共2頁

中華民國

26日

頁共2頁

中華民國

26日

頁共2頁

中華民國

26日

頁共2頁

中華民國

26日

頁共2頁

中華民國

26日

頁共2頁

中華民國

26日

頁共2頁

營業項目 (續)

五、化工機器設備 (含氣乙場單體壓縮設備) 之技術服務 (含設計安裝) 製造及銷

六、以上各項產品之運輸與委託加工業務

七、有關以上各項業務之研究推廣服務等事項

八、F107110石油化工原料批發業

九、F207110石油化工原料零售業 (設于空台)

華夏海運

登記證

董事長 吳英九

中華民國

26日

頁共2頁

營利事業統一編號：11686106

第2頁 共2頁



00051477

BSMI
經濟部標準檢驗局正字標記證書

廠名 稱 華夏海灣塑膠股份有限公司
廠地 址 臺北市內湖區基湖路37號12樓
代 表 人 姓 名 吳亦圭
生 產 製 造 工 廠 名 稱 華夏海灣塑膠股份有限公司頭份廠
生 產 製 造 工 廠 地 址 苗粟縣頭份市田寮里17鄰民族路571號
品 管 評 鑑 制 度 CNS 12681/ISO 9001:2015
產 品 名 稱 自來水用硬質聚氣乙烯塑膠管管件
適 用 國 家 標 準 總 號 2334 類 號 K3011
證 書 號 碼 台 正 字 第 6406 號

上記產品依標準法第11條第1項規定審查合格
核准使用正字標記。

局長劉明忠

中華民國 86 年 6 月 12 日
品管評鑑制度變更107年8月10日 換發此證



BSMI
經濟部標準檢驗局正字標記證書

廠名 稱 華夏海灣塑膠股份有限公司
廠地 址 臺北市內湖區基湖路37號12樓
代 表 人 姓 名 吳亦圭
生 產 製 造 工 廠 名 稱 華夏海灣塑膠股份有限公司頭份廠
生 產 製 造 工 廠 地 址 苗粟縣頭份市田寮里17鄰民族路571號
品 管 評 鑑 制 度 CNS 12681/ISO 9001:2015
產 品 名 稱 自來水用硬質聚氣乙烯塑膠管管
適 用 國 家 標 準 總 號 4053-1 類 號 K3033-1
證 書 號 碼 台 正 字 第 1624 號

上記產品依標準法第11條第1項規定審查合格
核准使用正字標記。

局長劉明忠

中華民國 55 年 6 月 18 日
品管評鑑制度變更107年8月10日 換發此證



經濟部標準檢驗局正字標記證書

廠名 稱 華夏海灣塑膠股份有限公司
 廠地 址 臺北市內湖區基湖路37號12樓
 代表 人 姓名 吳亦圭
 生產製造工廠名稱 華夏海灣塑膠股份有限公司頭份廠
 生產製造工廠地址 苗栗縣頭份市田寮里17鄰民族路571號
 品管評鑑制度 CNS 12681/ISO 9001:2015
 產 品 名 稱 硬質聚氣乙烯塑膠管
 適用國家標準總號 1298 類號 K3004
 證書號碼 台正字第 1623 號

上記產品依標準法第11條第1項規定審查合格
核准使用正字標記。

局長劉明忠

中華民國 55 年 6 月 18 日
品管評鑑制度變更107年8月10日 換發此證

經濟部標準檢驗局正字標記證書

廠名 稱 華夏海灣塑膠股份有限公司
 廠地 址 臺北市內湖區基湖路37號12樓
 代表 人 姓名 吳亦圭
 生產製造工廠名稱 華夏海灣塑膠股份有限公司頭份廠
 生產製造工廠地址 苗栗縣頭份市田寮里17鄰民族路571號
 品管評鑑制度 CNS 12681/ISO 9001:2015
 產 品 名 稱 硬質聚氣乙烯塑膠管
 適用國家標準總號 1302 類號 K3006
 證書號碼 台正字第 1625 號

上記產品依標準法第11條第1項規定審查合格
核准使用正字標記。

局長劉明忠

中華民國 55 年 6 月 18 日
品管評鑑制度變更107年8月10日 換發此證

財團法人台灣商品檢驗證中心
品質管理系統檢驗證書



ISO 9001



認可登錄
REGISTERED

茲證明

華夏海灣塑膠股份有限公司頭份總廠

(地址：苗栗縣頭份市民族路 571 號)

實施 ISO 9001:2015/CNS 12681:2016 品質管理系統
經本中心稽核結果符合標準予以認可登錄範圍如下：

下列項目之生產：

- 硬質聚氯乙烯塑膠管、自來水用硬質聚氯乙烯塑膠硬質管、
- 硬質聚氯乙烯電線專管、聚氯乙烯樹脂、聚氯乙烯塑膠防熱膠膜、
- 硬質聚氯乙烯塑膠片、自來水用硬質聚氯乙烯塑膠管、
- 耐衝擊硬質聚氯乙烯塑膠管、液鹼、鹽酸、漂水、
- 硬質聚氯乙烯塑膠芯層發泡管、聚氯乙烯門板

下列項目之設計及生產：

- 軟質聚氯乙烯塑膠片塑膠軟皮、塑膠皮、環保材產品 (以下空白)

原始登錄日期：中華民國 106 年 05 月 22 日
發證日期：中華民國 115 年 05 月 22 日
有效期限：中華民國 118 年 05 月 21 日
驗證證書編號：4X0Y013-06

執行長 林宗清



財團法人台灣商品檢驗證中心
地址：33383 桃園市龜山區文明路 29 巷 8 號

頁數：第 1 頁 / 共 1 頁



碳足跡查證聲明書

THCFP24170.01-00

華夏海灣塑膠股份有限公司頭份總廠

查證準則：ISO 14067：2018

產品/服務名稱：每公斤 CNS 4063-1 自來水用硬質聚氯乙烯塑膠管 (Unplasticized polyvinyl chloride (PVC-U) pipes for water supply)

功能單位：每公斤

宣告單位：每公斤

生產/服務地址：苗栗縣頭份市民族路 571 號

查證範圍：華夏海灣塑膠股份有限公司頭份總廠設於苗栗縣頭份市民族路 571 號，共計 1 處。

查證期間：2023 年 01 月 01 日至 2023 年 12 月 31 日

系統邊界：涵蓋到大門

查證數據：

每功能單位排放量 (CO ₂ e)	原料階段 (CO ₂ e)	單位：公斤二氧化碳當量製造階段 (CO ₂ e)
2.8289	2.5987	0.2302

查證意見

艾諾國際 (AFNOR ASIA) 確認上述單位之碳足跡主張係根據協議之查證準則規程的溫室氣體評估結果報告予以準備，並公正地呈現溫室氣體數據及相關資訊，查證數據為合理量測及計算，查證結果發現並未違反實質性限制，查證數據為合理保證等級。

碳足跡研究報告版本：第 3.0 版；日期：2024 年 06 月 24 日

碳足跡查證澄清版次：第 3.0 版；日期：2024 年 06 月 24 日

碳足跡查證總結報告版次：第 2.0 版；日期：2024 年 05 月 25 日

查證聲明書發證日期：2024 年 05 月 06-07 日及 05 月 14 日

查證聲明書核發日期：2024 年 07 月 02 日

查證聲明書有效期間：2024 年 07 月 02 日至 2026 年 07 月 01 日

APPROVED BY

保留限制：無

Patrick Ni

Patrick Ni
Director for Certification
ON BEHALF OF
AFNOR ASIA



AFNOR Asia 101 - 艾諾國際有限公司, 20F, No. 202, Chung-Ping Road, Taoyuan, 330 R.O.C., Taiwan
T: +88 63 220 0666 - F: +88 63 220 7889 - www.afnor.com

華夏海灣塑膠股份有限公司
China General Plastics Corporation

Taiwan 台灣
Head Office 總公司：
12F,37,Ji-Hu Rd. Nei-Hu District, 台灣 114700 台北市內湖區基湖路37號12樓
Taipei 114700, Taiwan 電話：(02)2658-2158
Tel:886-2-2658-2158 傳真：(02)2659-9514
Fax:886-2-2659-9514

Toufen Plant 頭份廠：
571, Min-Tsu Rd. Toufen, 台灣 351494 苗栗縣頭份市民族路571號
Miaoli 351494, Taiwan 電話：(037)623-391
Tel: 886-37-623391 傳真：(037)623-109
Fax: 886-37-623109

報驗專用章用印處

